

HIA-J202

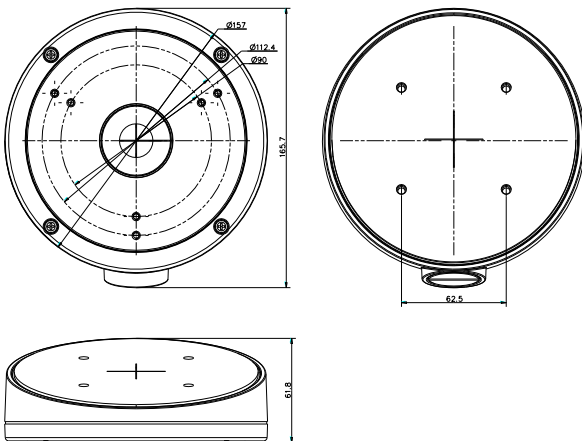
Inclined Ceiling Mount Bracket for Dome Camera



Features:

- Aluminum alloy material with surface spray treatment
- Waterproof design

Dimension:



Order Model:

HIA-J202

Parameter:

Model	HIA-J202
Parameters	Inclined Ceiling Mount Bracket for Dome Camera
Appearance	Hikvision White
Material	Aluminum Alloy
Dimension	Φ 157 × 165.5 × 60 mm
Weight	586 g

Notice:

- The bracket should be installed on flat wall
- Waterproof rubber is necessary for outdoor application
- The wall must be capable of supporting over 3 times as much as the total weight of the camera and the mount.
- The maximum load capacity of the bracket is **4.5KG**

Note: The actual dome camera may vary from the picture above.